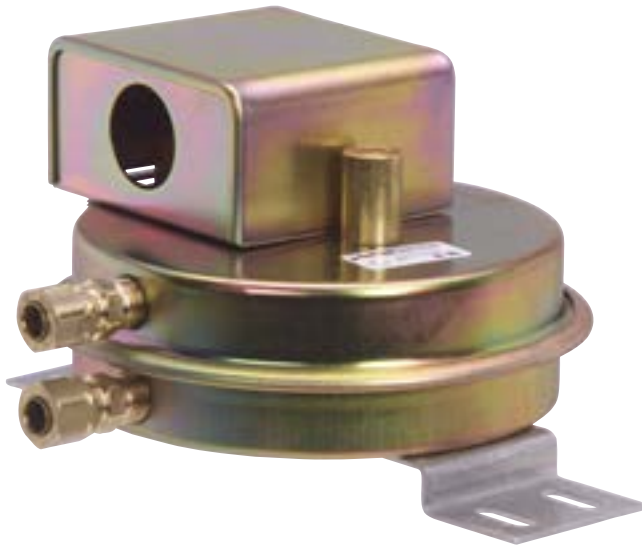


## SML | Air Pressure Switches



SML

The SML air pressure switch features a sensitive diaphragm to detect changes in air pressure. Easy to install and reliable, this switch is available in two range scales and with an optional neon light indicator.

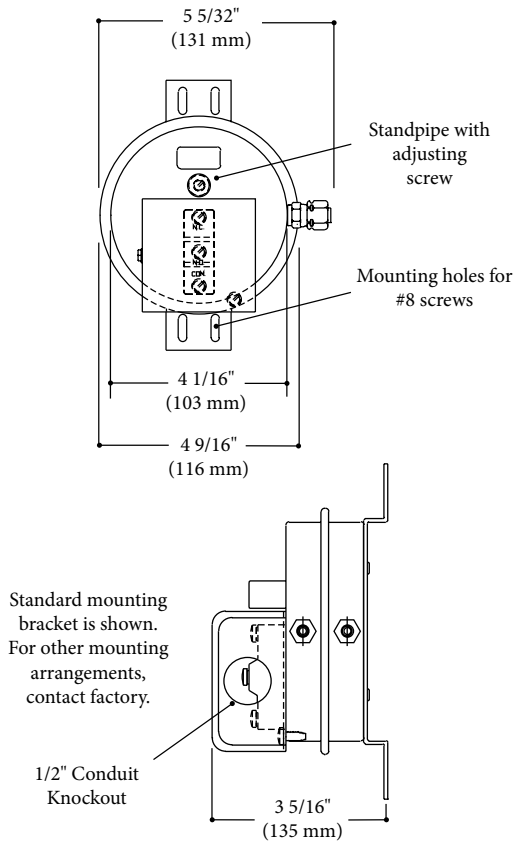
### FEATURES

- Sensitive diaphragm
- Snap-action electrical switch S.P.D.T. rated at 10 amps
- Industrial combustion
- Two range scales from .05" W.C. to a maximum of 9" W.C.
- Easy to install
- Cost-effective pricing



# SML | Air Pressure Switches

## Dimensions

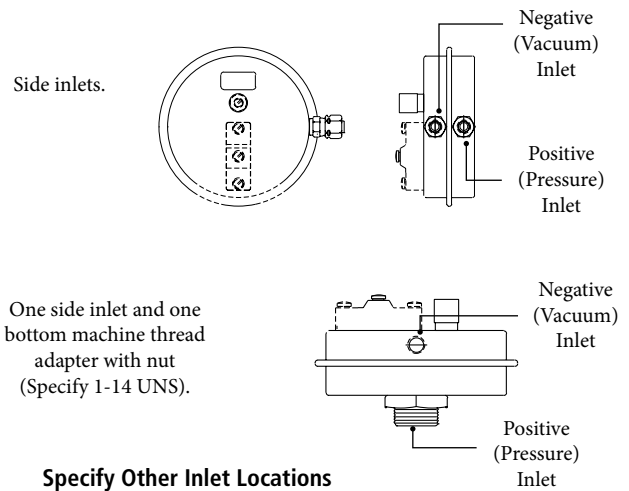


NOTE: Dimensions are for reference only.

## Fittings/Options

- 1/4" Barb
- 1/4" Tube
- 1/4" Compression
- Option: Neon Light Indicator

## Standard Inlet Locations (1/8" NPT Without Fittings)



## Specifications

### Electrical Ratings:

10A @ 125 VAC.; 8A @ 250 VAC.; 7A @ 277 VAC.;  
1/8HP @ 125 VAC, 1/4HP @ 250 VAC  
Pilot Duty, 125VA @ 125/277 VAC

**Max. Surge Pressure:** 20" W.C.

**Max. Ambient Temperature:** 170°F (77°C)

**Min. Ambient Temperature:** -40°F (-40°C)

**Shipping Weight:** 1 lb. (.45 kg)

Pressure switch purchases shall be governed by the terms located at [crossroadsindustrialservices.com](http://crossroadsindustrialservices.com)

R/ July 2017