

Versa Plus | Gas Pressure Switches



**Automatic
Reset**



**Manual
Reset**

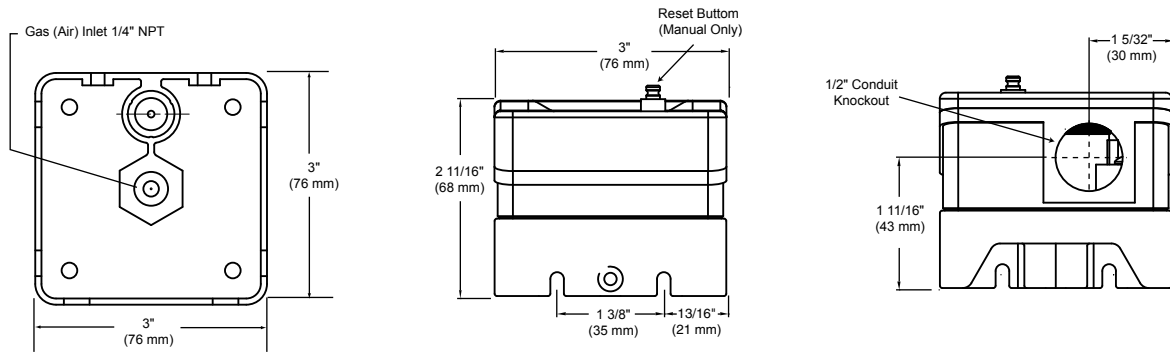
The Versa Plus gas pressure switch accurately monitors pressure and breaks the electrical control when pressure rises above or drops below the desired setpoint. It is made with a durable plastic enclosure and has a die-cast aluminum inlet base.

FEATURES

- Compact design
- Accurate
- Adjustable setpoints
- Automatic or manual reset
- Ventless
- Cost-effective pricing
- Custom design per OEM specifications
- Mounts to any modular valve body

Versa Plus | Gas Pressure Switches

Dimensions



NOTE: Dimensions are for reference only.

Low Ranges Available

Model	Part No.	W.C.	mbar
<i>Automatic Reset</i>			
FGA-L010	8261001010	0.5"-4"	1.2-10
FGA-L050	8261002050	1"-20"	2.5-50
FGA-L110	8261003110	5"-44"	12-110
<i>Manual Reset</i>			
FGM-L 010	8271001010	0.5"-4"	1.2-10
FGM-L 050	8271002050	1"-20"	2.5-50
FGM-L 075	8271003075	5"-30"	12-75
FGM-L 136	8271004136	7"-55"	17-136

High Ranges Available

Model	Part No.	W.C.	mbar
<i>Automatic Reset</i>			
FGA-H010	8261005010	0.8"-4"	2-10
FGA-H050	8261006050	2"-20"	5-50
FGA-H087	8261007087	5"-35"	12-87
<i>Manual Reset</i>			
FGM-H 050	8271005050	2"-20"	5-50
FGM-H 087	8271006087	8"-35"	20-87
FGM-H 150	8271007150	10"-60"	25-150

Specifications

Electrical Ratings

6A @ 120 VAC
6A @ 240 VAC
1/8 HP, 120 & 240 VAC

Adjustable Operating Pressure:

1.2 to 150 mbar
0.5" W.C. to 60" W.C.
(different ranges)

NOTE: To avoid initial line fill pressure spikes, unit should be placed downstream of the regulator.

Max. Surge Pressure:

7 PSI (482 mbar)

Ambient Operating

Temperature:

5°F to 180°F (-15°C to 82°C)
Field wiring to be rated @ 90°C (194°F) for maximum ambient

Shipping Weight:

.5 lbs. (.227 kg)

Options:

4-Pin DIN Connector
Neon Lamp Indicator
Side Mounting

Pressure switch purchases shall be governed by the terms located at crossroadsindustrialservices.com

R/ July 2017