

Model H | Gas Pressure Switches



Model HGP-H

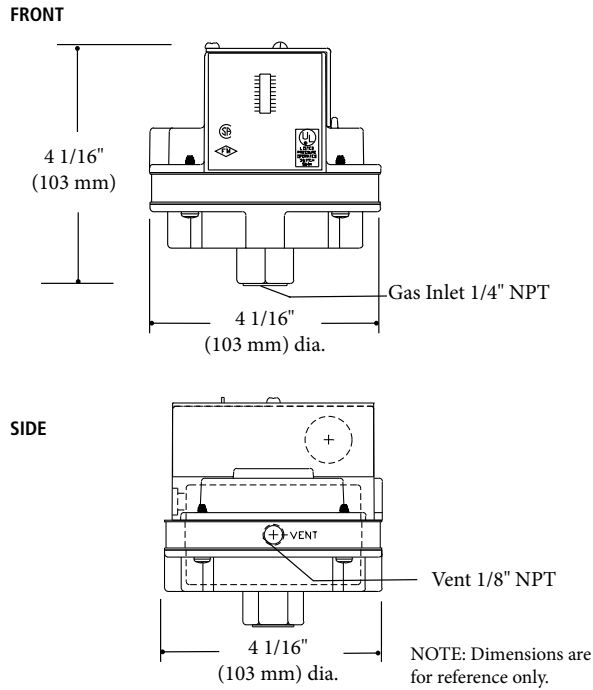
The Model H is a gas pressure switch that monitors pressure and breaks the electrical control circuit when pressure rises above or drops below the desired setpoint. Made of rugged die-cast aluminum, it offers reliability, repeatability and accuracy.

FEATURES

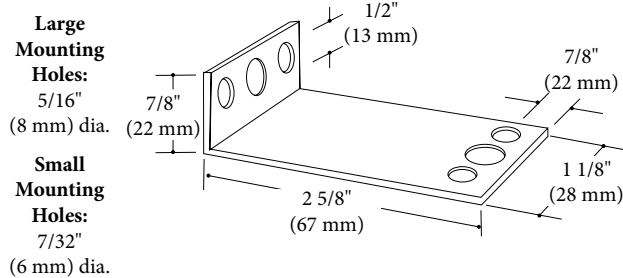
- Mount horizontally without the need for accurate leveling
- Available in automatic recycle or manual reset
- Easily visible on/off indicator
- 1 to 15 PSI adjustable range
- Rugged die-cast aluminum construction
- Max. surge pressure: 35 PSI
- Max. ambient temperature: 140°F (60°C)
- Min. ambient temperature: -40°F (-40°C)

Model H | Gas Pressure Switches

Dimensions: Single Gas Pressure Switch



Mounting Bracket



Electrical Ratings

10A, 1/8 HP, 125 VAC.
5A, 1/4 HP, 250 VAC.
Pilot Duty: 125 VA @ 125-250 VAC.

Specifications

Models	Ranges		Natural or L.P. Gas	Automatic or Manual Reset	Field Adjustable
	PSI	Bar			
HGP-H	1-7	.06 -.48	Yes	Manual	Yes
	6-15	.41 - 1.03	Yes	Manual	Yes
RHGP-H	1-7	.06 -.48	Yes	Automatic	Yes
	6-15	.41 - 1.03	Yes	Automatic	Yes
LGP-H	1-7	.06 -.48	Yes	Manual	Yes
	6-15	.41 - 1.03	Yes	Manual	Yes
RLGP-H	1-7	.06 -.48	Yes	Automatic	Yes
	6-15	.41 - 1.03	Yes	Automatic	Yes

Shipping Weight

2 lbs. (.9 kg)

Options

Panel Mount: Specify "Mounting Bracket" on order
Dust Proof: Specify "Dust Proof" on order (recycle type only)

Limitation of Liability. If it is understood and agreed that seller's liability whether in contract, in tort, under any warranty, in negligence or otherwise, shall not exceed the return of the amount of the purchase price paid by purchaser and under no circumstances shall seller be liable for special, indirect or consequential damages. The price stated for the equipment is a consideration in limiting seller's liability. No action, regardless of form, arising out of the transactions may be brought by purchaser more than one year after the cause of action has accrued.

Pressure switch purchases shall be governed by the terms located at crossroadsindustrialservices.com

R/ July 2017